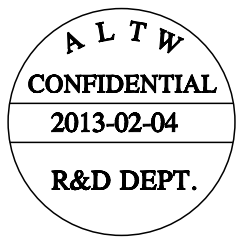
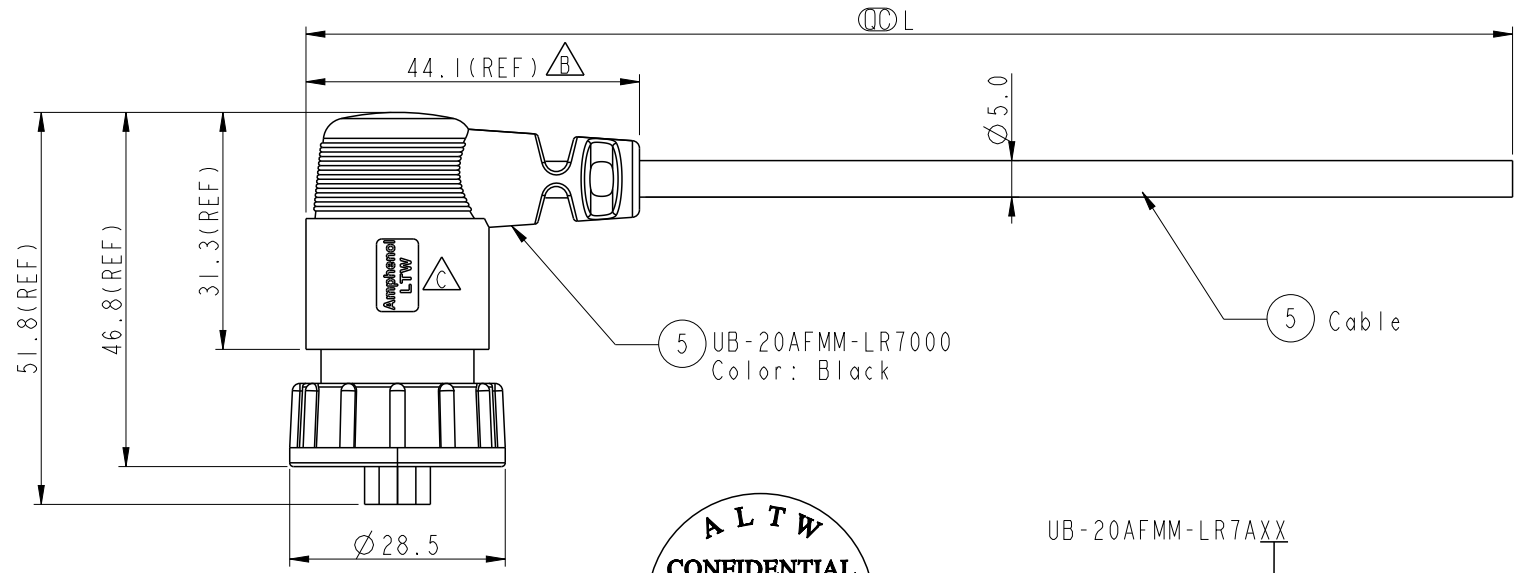
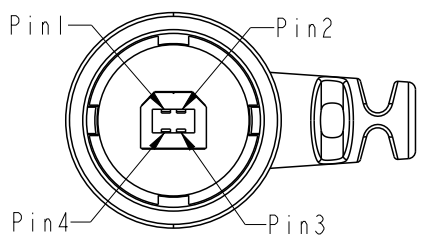


THIS DOCUMENT IS SUBJECT TO CHANGE WITHOUT NOTICE. IT IS CONFIDENTIAL AND A PROPERTY OF Amphenol LTW. DISCLOSURE TO THIRD PARTY HAS TO BE AUTHORIZED BY Amphenol LTW.

REV.	ECN NO.	DATE	SIGN	DESCRIPTION
B	LEN-810005	2007/12/27	LiChiCheng	Change 44.1 to Reference Dimension
C	LEN1310138-42	2013/02/04	RAISON	ADD LOGO



UB-20AFMM-LR7AXX
 XX: 01~99Meter
 01: 01Meter
 02: 02Meters
 ...
 05: 05Meters
 Cable Length(L):01~05Meters



- Note:
- * \varnothing Important Dimension
 - * Waterproof Rate: IP67
 - * USB:A Type Male Solder Type
 - * Lock Nut: Nylon+GF
 - * Gasket: EPDM
 - * Cable :USB2.0 N 28AWG*1P+24AWG*2C+AL/MY+D+B Black,PVC Jacket UV Resistant, OD=5.0mm
 - * Cable Length Tolerance: 1M~5M±5%mm
 - * Connector 鑲塊無需刻"標註" 標註

Shield	Drain
4	Black (24AWG)
3	Green (28AWG)
2	White (28AWG)
1	Red (24AWG)
Conn.	Wire Color

Twist

UNIT:mm	
TOLERANCE	
.X	±0.25
.XX	±0.1
.XXX	±0.05
ANGLES	±1°

TITLE USB Cable Lock 20B F Conn. M Pin			
SCALE 1:1	SIZE A4	SHEET 1 OF 1	
REV. C	WC-REV. A.6	\varnothing : Inspection item	

Amphenol LTW
 安費諾亮泰企業股份有限公司

ITEM NO	DRAWN BY Raison_liao	DATE 2013-02-04
DWG NO UB-20AFMM-LR7XXX	CHECKED BY TONY	DATE 2013-02-04
CUSTOMER ALTW	APPROVED BY VICTOR	DATE 2013-02-04