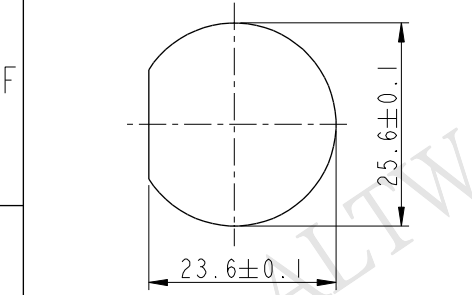
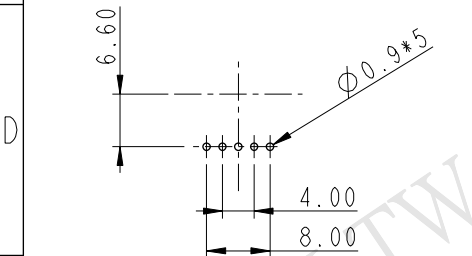


THIS DOCUMENT IS SUBJECT TO CHANGE WITHOUT NOTICE. IT IS CONFIDENTIAL AND A PROPERTY OF Amphenol LTW. DISCLOSURE TO THIRD PARTY HAS TO BE AUTHORIZED BY Amphenol LTW.

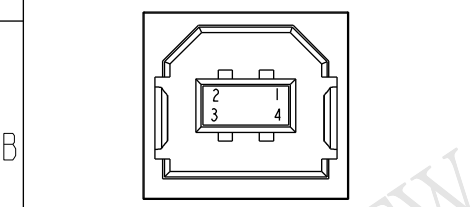
REV.	ECN NO.	DATE	SIGN	DESCRIPTION
C	LEN-7B0139	2007/11/15	Gao Ling	Modify Panel Thickness
D	LEN1550039	2014/12/24	Vicky	Update Logo
E	LEN1580252	2015/08/06	Vicky	Update Drawing View



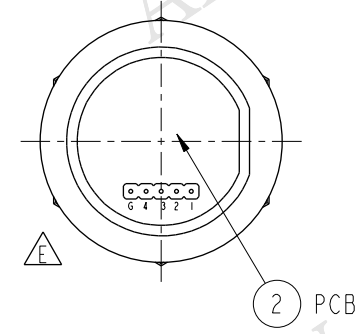
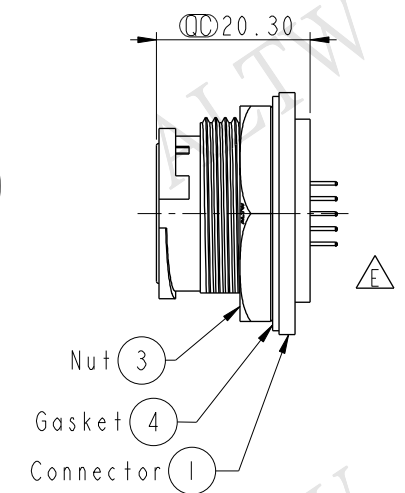
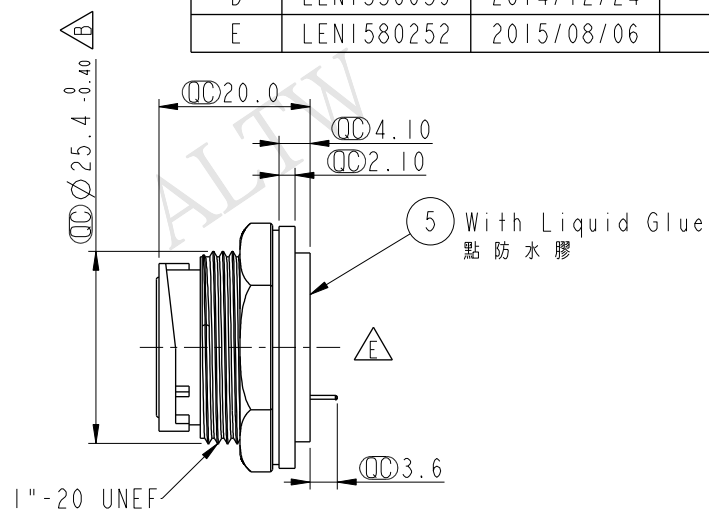
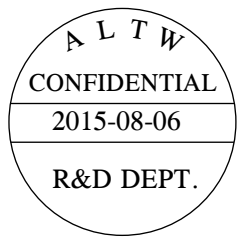
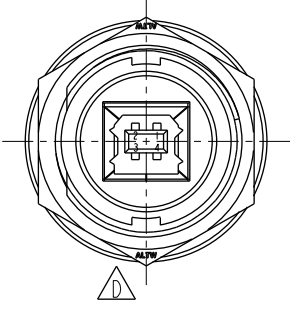
Recommended Panel Cut-Out



PCB Layout



Pin Assignments
Front View 前視圖



- Note:
- △B* Ⓞ Important Dimension.
 - * Waterproof Rate: IP67
 - * Nut: Nylon+GF, Black
 - * Gasket: EPDM, Black
 - * Connector: Nylon+GF, Black
 - * PCB: FR-4, Thick=1.0
 - * Wafer: 5Pin Wafer PH=2.0
 - * USB: USB-B Female TIP
 - △C* Use with waterproof cap or dust cap
For Panel Thickness Max: 2.8mm
 - △C* Use without waterproof cap or dust cap
For Panel Thickness Max: 4.0mm

UNIT:mm		TITLE Large Size USB B Type Female PCB Lock Panel Conn.		<h1>Amphenol LTW</h1> <p>安費諾亮泰企業股份有限公司</p>		ITEM NO UB-20PMFP-LC7001	DRAWN BY Vicky	DATE 2015-08-06
		TOLERANCE .X ±0.25 .XX ±0.1 .XXX ±0.05 ANGLES ±1°	SCALE 1:1			SIZE A4	SHEET 1 OF 1	DWG NO UB-20PMFP-LC7001
		REV. E	WC-REV. A.4	Ⓞ: Inspection item	CUSTOMER ALTW	APPROVED BY Lion	DATE 2015-08-06	8 FMM10702-01-02A1