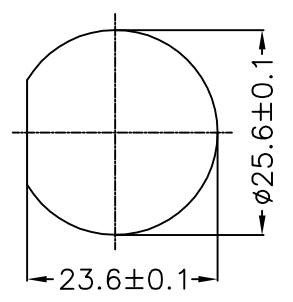
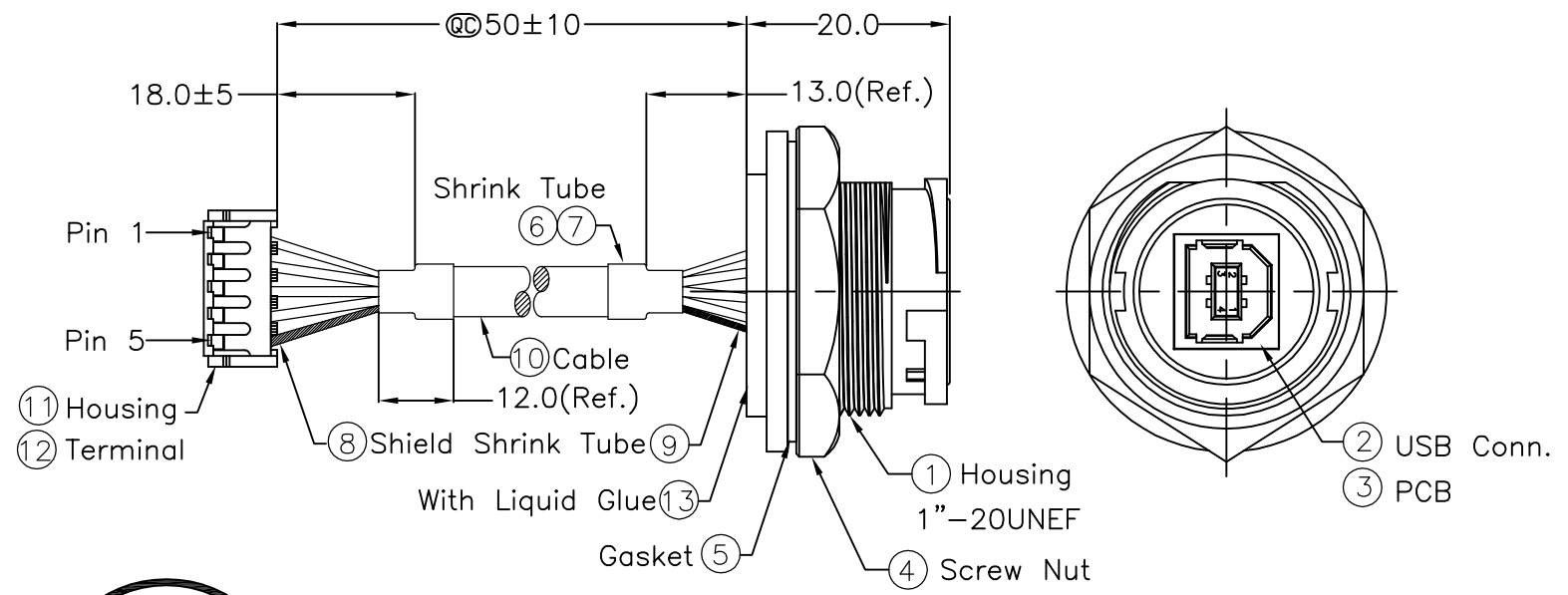
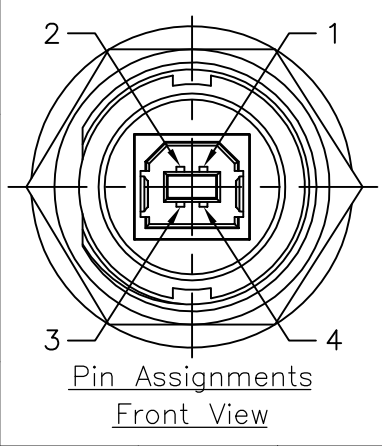


REV.	ECN NO.	DATE	SIGN	DESCRIPTION
B	LEN-7B0140	2007/11/15	Gao Ling	Modify Panel Thickness



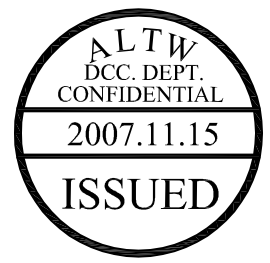
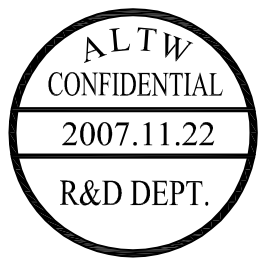
Recommended Panel Cut-Out



Pin Assignments Front View

5	Drain	Shield
4	Black 24AWG	4
3	Green 28AWG	3
2	White 28AWG	2
1	Red 24AWG	1
Housing	Wire Color	Conn.

Twist



Note:

- * @C Important Dimension.
- * Housing: Nylon+GF,Black
- * Nut: Nylon+GF,Black
- * Gasket: EPDM, Black
- * PCB: FR-4,t=1.0mm
- * Liquid Glue: Black
- * Hosing: Nylon,PH=2.50mm
- * Terminal:Female Pin,Tin Plated.
- * Cable:1P*28#+2C*24#+AL+MY+D+B,OD=5.0mm
- * Use with waterproof cap or dust cap For Panel Thickness Max: 2.8mm
- * Use without waterproof cap or dust cap For Panel Thickness Max: 4.0mm

UNIT:mm		TITLE USB With Harness Panel Lock M Conn F Pin		Amphenol LTW		ITEM NO UB-20PMFP-LC7003	DRAWN BY Gao Ling	DATE 2007/11/15
TOLERANCE .X ±0.25 .XX ±0.1 .XXX ±0.05 ANGLES ±1°	SCALE Free	SHEET 1 OF 1		安費諾亮泰企業股份有限公司		DWG NO UB-20PMFP-LC7003	CHECKED BY Jill	DATE 2007/11/19
REV. B	SIZE A4	QC :Inspection Item				CUSTOMER ALTW	APPROVED BY Lion	DATE 2007/11/20

THIS DOCUMENT IS SUBJECT TO CHANGE WITHOUT NOTICE. IT IS CONFIDENTIAL AND A PROPERTY OF Amphenol LTW. DISCLOSURE TO THIRD PARTY HAS TO BE AUTHORIZED BY Amphenol LTW.