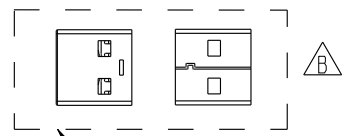


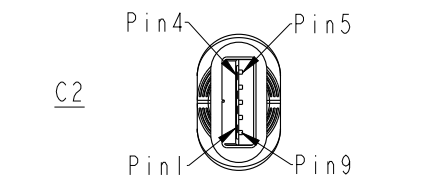
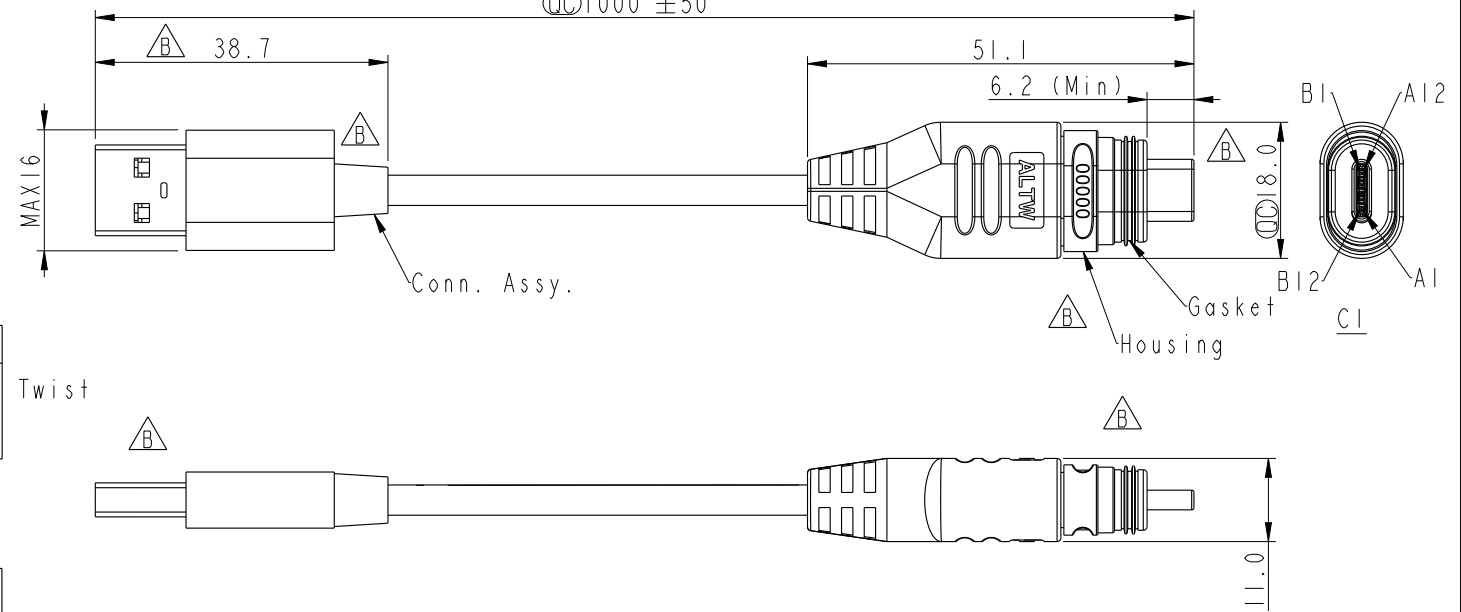
THIS DOCUMENT IS SUBJECT TO CHANGE WITHOUT NOTICE. IT IS CONFIDENTIAL AND A PROPERTY OF AMPHENOL LTW. DISCLOSURE TO THIRD PARTY HAS TO BE AUTHORIZED BY AMPHENOL LTW.

REV.	ECN NO.	DATE	SIGN	DESCRIPTION
A	Initial Released	2020/08/24	Ruru	Old Item No. UC-30AMM-QD8B01
B	C211120	2021/10/10	Xiaofeng	$\triangle B$ X8



Type A 金屬外殼結合縫外觀樣式非QC重點，請忽略，
Type A 除此部分，外觀尺寸大小皆須符合圖面

$\text{\textcircled{C}}$ 1000 ±50



Shield	Braid	編織	Shield
9	Blue	藍	B11
8	White	白	B10
7	Drain	地線	B12
			B1
			A12
			A1
6	Blue	藍	B12
			B1
			A12
5	White	白	A1
			B12
			B1
4	Drain	地線	A12
			A1
			B12
3	Green	綠	A6
			A7
			B9
2	White	白	B4
			A9
			A4
1	Red	紅	A4
C2	Wire Color		C1

Jump Wire

Twist

Twist

Twist

- $\triangle B$ Note:
- * $\text{\textcircled{C}}$ Important Dimension
 - * C1
Connector: USB Type C, Plug
Waterproof Rate: IPX8, Mated 1m/24h
Housing: Thermoplastic, UL94 V-0, Black
Gasket: Rubber, Black
 - * C2
Connector: USB Type A 3.0, Plug
Non-waterproof.
 - * Other
Cable: (USB3.1) UL2725 (32#*IP+EAM)*2C+(32#*IP+AL)*1C+26#*2C+AB, OD=4.0mm, PVC Jacket, Black

UNIT:mm		TITLE ACC, USB, C TYPE, DB-ENDED, MM
TOLERANCE ±0.5 mm	SCALE 1:1	SIZE A4
	REV. B	WC-REV. A.27
		$\text{\textcircled{C}}$: Inspection item

Amphenol LTW
安費諾亮泰企業股份有限公司

ITEM NO. UC30ML-NCML-QB001	DRAWN BY Ruru	DATE 2020-08-24
DWG NO. UC30ML-NCML-QB001	CHECKED BY Rita	DATE 2020-08-24
CUSTOMER ALTW	APPROVED BY Max	DATE 2020-08-24