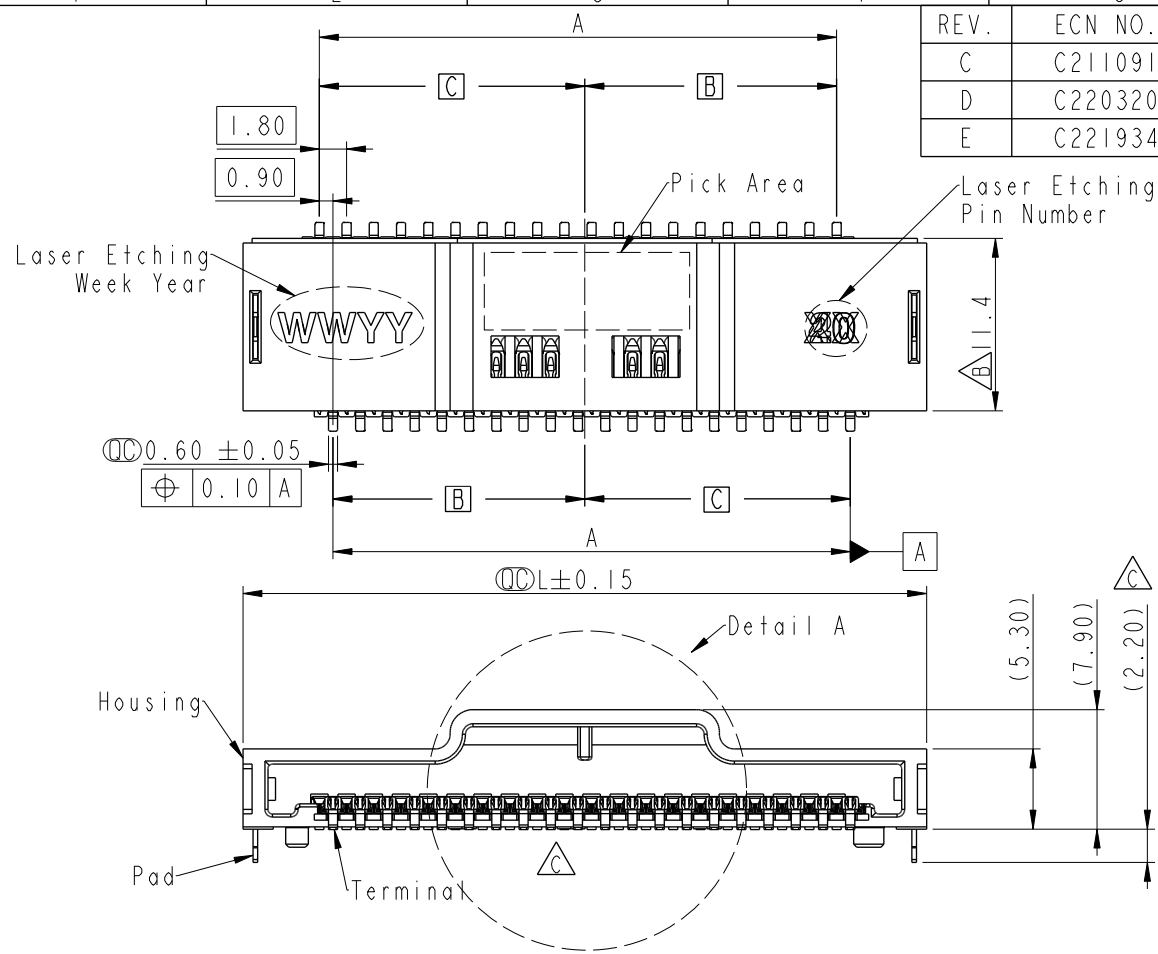
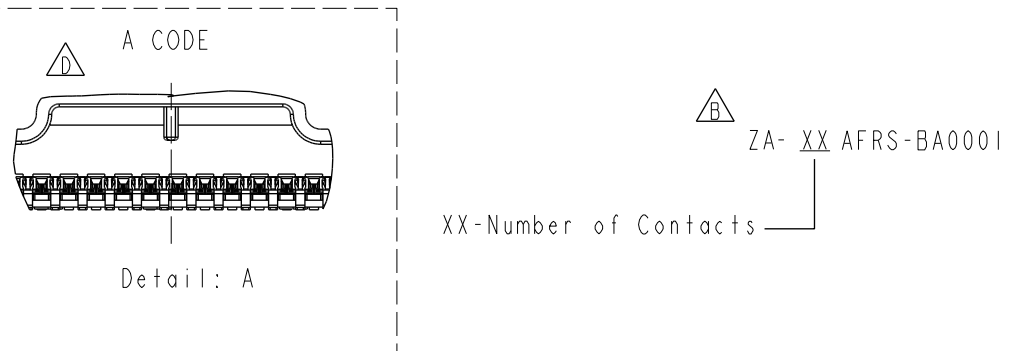


THIS DOCUMENT IS SUBJECT TO CHANGE WITHOUT NOTICE. IT IS CONFIDENTIAL AND A PROPERTY OF Amphenol LTW. DISCLOSURE TO THIRD PARTY HAS TO BE AUTHORIZED BY Amphenol LTW.

REV.	ECN NO.	DATE	SIGN	DESCRIPTION
C	C211091	2021/07/17	Xiaofeng	$\triangle C$ X2
D	C220320	2022/03/02	Xiaofeng	$\triangle D$ X1
E	C221934	2022/12/08	Ruru	$\triangle E$ X1



ZCONNECT SIZE				
PIN	L(mm)	A(mm)	B(mm)	C(mm)
22	29.0	18.0	9.45	8.55
24	30.8	19.8	9.45	10.35
26	32.6	21.6	11.25	10.35
28	34.4	23.4	11.25	12.15
30	36.2	25.2	13.05	12.15
32	38.0	27.0	13.05	13.95
34	39.8	28.8	14.85	13.95
36	41.6	30.6	14.85	15.75
38	43.4	32.4	16.65	15.75
40	45.2	34.2	16.65	17.55



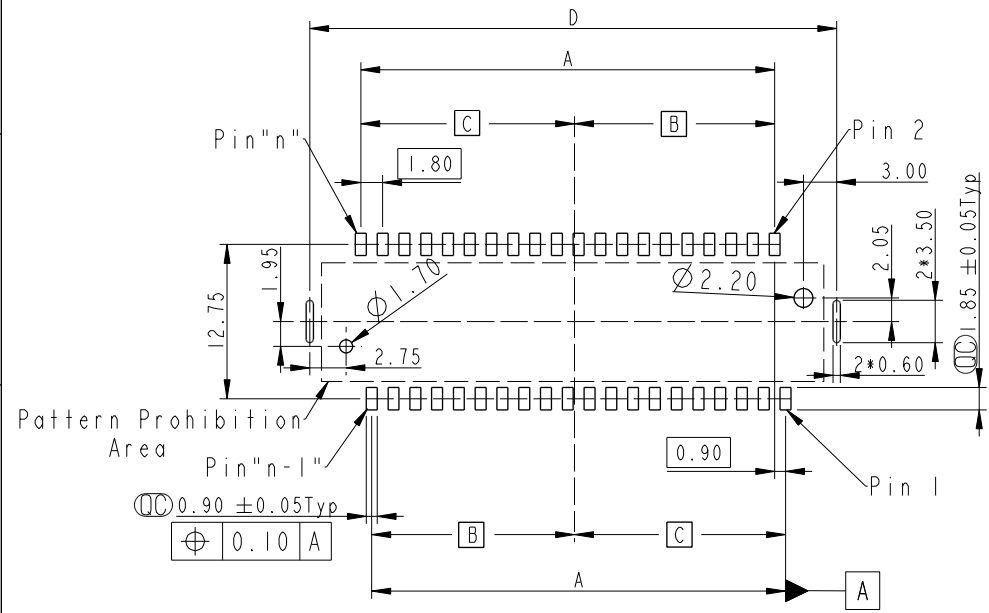
Note:
 * \odot Important Dimensions To Check.
 * Housing: Thermoplastic, Black.
 * Terminal: Copper Alloy, Gold Plated.
 * Pad: Metal.
 $\triangle E$ * Hot plugging is not applicable for this part, please consult with manufacturer if special requirement is needed.

UNIT: mm	\odot	∇	TITLE Z CONN., N SHLD, P 0.9, F SMD
TOLERANCE .X ± 0.25 .XX ± 0.1 .XXX ± 0.05 ANGLES $\pm 1^\circ$	SCALE 1:1	SIZE A4	SHEET 1 OF 4
	REV. E	WC-REV. .0	\odot : Inspection item

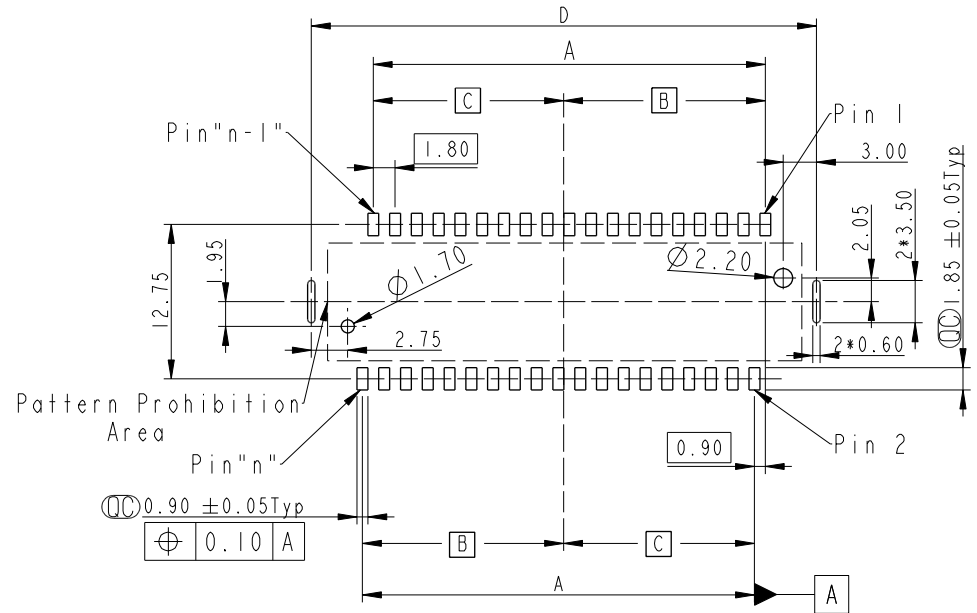
Amphenol LTW
 安費諾亮泰企業股份有限公司

ITEM NO.	DRAWN BY Xiaofeng	DATE 2021/01/07
DWG NO. ZA-XXAFRS-BA0001	CHECKED BY Feng-Li	DATE 2021/01/07
CUSTOMER ALTW	APPROVED BY Jerry	DATE 2021/01/07

THIS DOCUMENT IS SUBJECT TO CHANGE WITHOUT NOTICE. IT IS CONFIDENTIAL AND A PROPERTY OF Amphenol LTW. DISCLOSURE TO THIRD PARTY HAS TO BE AUTHORIZED BY Amphenol LTW.



RECOMMENDED PCB LAYOUT



RECOMMENDED PCB LAYOUT

PCB LAYOUT SIZE

PIN	A(mm)	B(mm)	C(mm)	D(mm)
24	19.8	9.45	10.35	29.15
28	23.4	11.25	12.15	32.75
32	27.0	13.05	13.95	36.35
36	30.6	14.85	15.75	39.95
40	34.2	16.65	17.55	43.55

PCB LAYOUT SIZE

PIN	A(mm)	B(mm)	C(mm)	D(mm)
22	18.0	9.45	8.55	27.35
26	21.6	11.25	10.35	30.95
30	25.2	13.05	12.15	34.55
34	28.8	14.85	13.95	38.15
38	32.4	16.65	15.75	41.75

UNIT: mm

TOLERANCE
 .X ±0.25
 .XX ±0.1
 .XXX ±0.05
 ANGLES ±1°

TITLE
 Z CONN., N SHLD, P 0.9, F SMD

SCALE 1:1
 SIZE A4
 REV. E
 WC-REV. .0

SHEET 2 OF 4
 Inspection item

Amphenol LTW
 安費諾亮泰企業股份有限公司

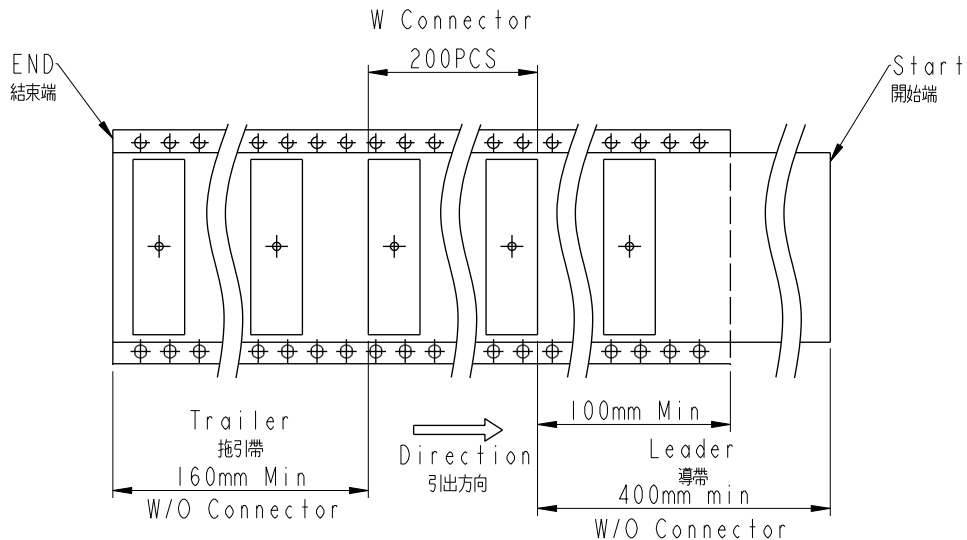
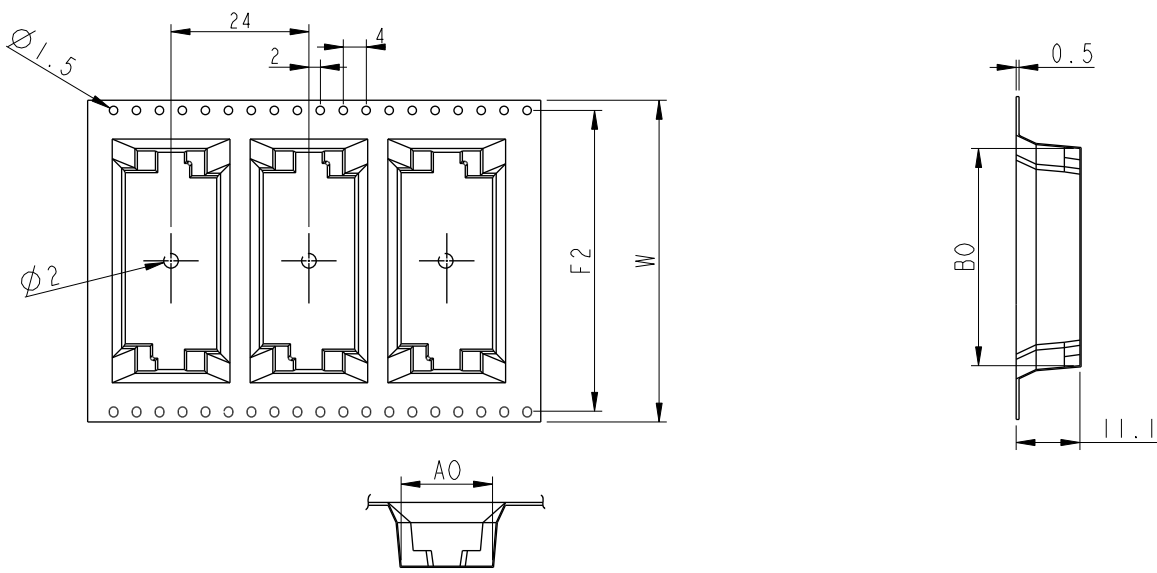
ITEM NO. ZAFXFRS-BA0001
 DWG NO. ZAFXFRS-BA0001
 CUSTOMER ALTW

DRAWN BY Xiaofeng
 CHECKED BY Feng-Li
 APPROVED BY Jerry

DATE 2021/01/07
 DATE 2021/01/07
 DATE 2021/01/07

THIS DOCUMENT IS SUBJECT TO CHANGE WITHOUT NOTICE. IT IS CONFIDENTIAL AND A PROPERTY OF Amphenol LTW. DISCLOSURE TO THIRD PARTY HAS TO BE AUTHORIZED BY Amphenol LTW.

△ Packing:



PIN	B0(mm)	W(mm)	F2(mm)	A0(mm)
22	29.3	44	40.4	15.9
24	31.1	56	52.4	
26	32.9			
28	34.7			
30	36.5			
32	38.3			
34	40.1			72
36	41.9			
38	43.7			
40	45.5			

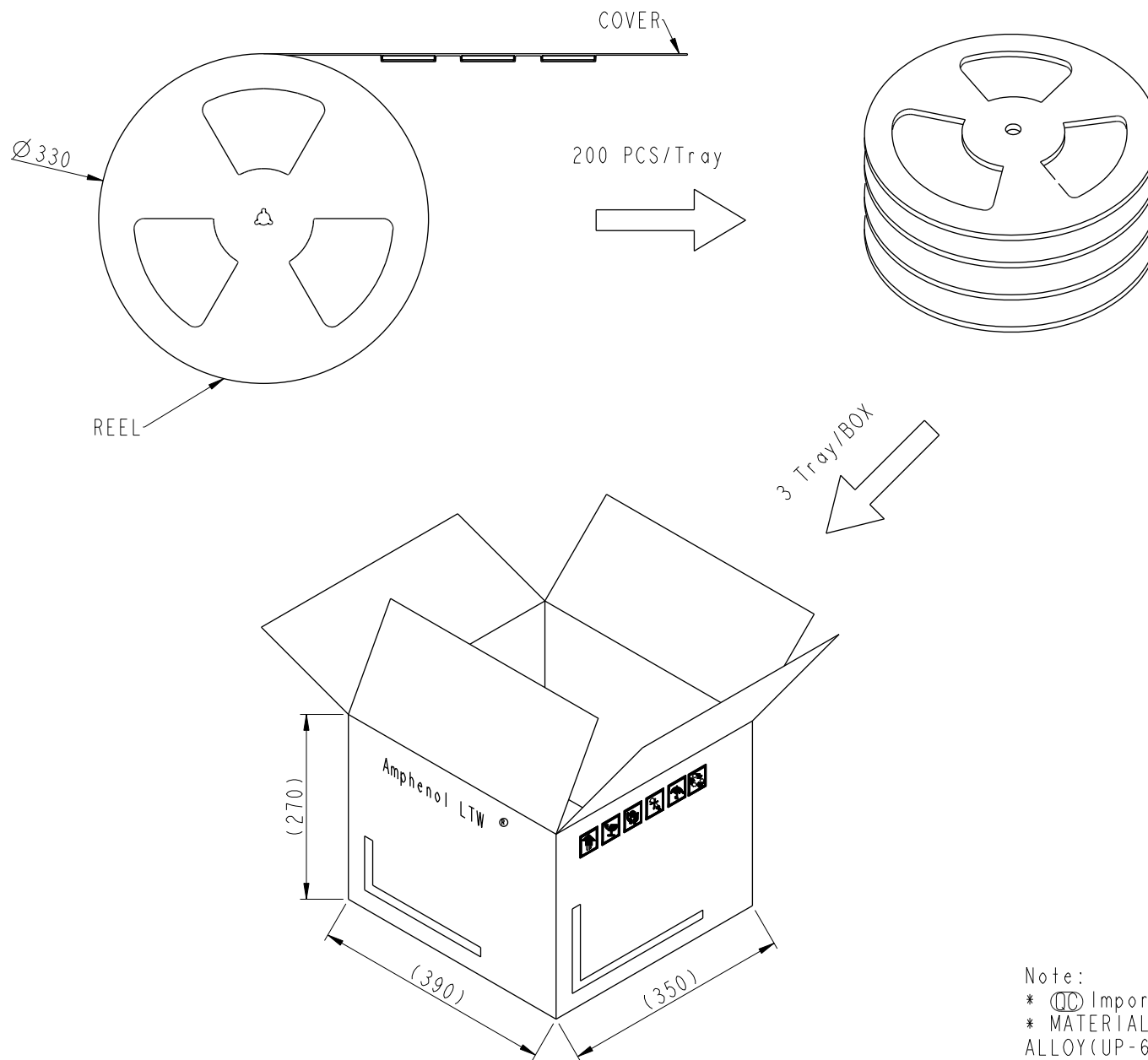
UNIT: mm		
TOLERANCE	.X ±0.25	
	.XX ±0.1	
	.XXX ±0.05	
ANGLES	±1°	

TITLE Z CONN., N SHLD, P 0.9, F SMD			
SCALE 1:1	SIZE A4	SHEET 3 OF 4	
REV. E	WC-REV. .0	QC: Inspection item	

Amphenol LTW
安費諾亮泰企業股份有限公司

ITEM NO	DRAWN BY Xiaofeng	DATE 2021/01/07
DWG NO ZA-XXAFRS-BA0001	CHECKED BY Feng-Li	DATE 2021/01/07
CUSTOMER ALTW	APPROVED BY Jerry	DATE 2021/01/07

THIS DOCUMENT IS SUBJECT TO CHANGE WITHOUT NOTICE. IT IS CONFIDENTIAL AND A PROPERTY OF Amphenol LTW. DISCLOSURE TO THIRD PARTY HAS TO BE AUTHORIZED BY Amphenol LTW.



Note:
 * \varnothing Important Dimensions To Check.
 * MATERIAL: BLACK CONDUCTIVE POLYSTYRENE ALLOY(UP-6100).

UNIT: mm		TITLE		ITEM NO		DRAWN BY		DATE	
		Z CONN., N SHLD, P 0.9, F SMD		ZA-XXAFRS-BA0001		Xiaofeng		2021/01/07	
		SCALE	SIZE	SHEET	OF	CHECKED BY	DATE		
TOLERANCE		1:1	A4	4	4	Feng-Li	2021/01/07		
.X	±0.25	REV.	E	WC-REV.	.0	APPROVED BY	DATE		
.XX	±0.1					Jerry	2021/01/07		
.XXX	±0.05			☉: Inspection item		CUSTOMER		DATE	
ANGLES	±1°					ALTW		2021/01/07	
				Amphenol LTW					
				安費諾亮泰企業股份有限公司					